



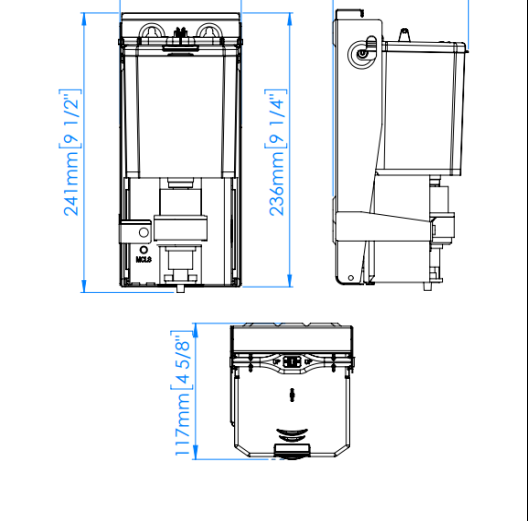
PROJECT		REF		REV	ITEM CODE	
LOCATION		DATE			PAGE	

SANITARY WARE SPECIFICATION SHEET

Item Descriptions	Mediclinics (Spain) AISI 304 stainless steel behind the mirror automatic hand sanitizer spray dispenser, 1L maximum capacity
Dimensions	L105 x W117 x H241 mm
Model	DJSM0039A
Finish	Satin (Body)
Material	Stainless Steel AISI 304 / Plastic
Manufacturer	Mediclinics, S.A. (Spain)
Supplier	Acme Sanitary Ware Co. Ltd Mr. Eric Wong/ Mr. Wilson Hung (852) 2388-7171 / (852) 2710-8012
Contact Tel/Fax	(852) 2388-7171 / (852) 2710-8012
E-mail	acme@acmesanitary.com.hk
Website	www.acmesanitary.com.hk



General Description	<ul style="list-style-type: none"> Automatic hand sanitizer spray dispenser with touch-free operation eliminating cross-contamination, with AISI 304 stainless steel body, for hidden installation behind the mirror Designed to be fitted behind a mirror or panels, this spray hand sanitizer dispenser helps to ensure that the bathroom remains organized and tidy Delivers an accurate hand sanitizer dosage by simply approaching one's hands, without users contact, avoiding cross-contamination and creating an environment without germs and totally automated. 1,000ml refillable plastic container, with easy access to replenish the hand sanitizer. Operates on 6 AA alkaline batteries (not provided) or optionally, with an AC adapter. Order reference DJSM0039A-TRAFO to receive the automatic hand sanitizer spray dispenser able to be connected to the mains with the AC adapter. Suitable for hand sanitizer spray. It is recommended to use hand sanitizer spray with the following characteristics: <ul style="list-style-type: none"> - Maximum alcohol content of 85% - Maximum density of 0.8 kg/dm³ - Use specific spray products It does not support hand sanitizers that contain methanol, chlorine or solid abrasive particles.. Screws and plastic plugs to mount on a brick wall supplied.
----------------------------	-------------------------------------------------------------------------------------------------------------------------------------------------------------------------------------------------------------------------------------------------------------------------------------------------------------------------------------------------------------------------------------------------------------------------------------------------------------------------------------------------------------------------------------------------------------------------------------------------------------------------------------------------------------------------------------------------------------------------------------------------------------------------------------------------------------------------------------------------------------------------------------------------------------------------------------------------------------------------------------------------------------------------------------------------------------------------------------------------------------------------------------------------------------------------------------------------------------------------------------------------------------------------------------------------------------------------------------------------------------------------------------------------------------------------------------------------------



Dimensions	241 x 105 x 117 mm
Maximum capacity	1 L
Body, cover & base plate thickness	0.8 mm
Inner tank thickness	2.5 mm
Net weight	0.64 Kg
Quantity dispensed per pump	0.165 ml
Detection range	8 – 12 cm

Note:



* All information of the above is for the reference only. No prior notice is made if any changes.

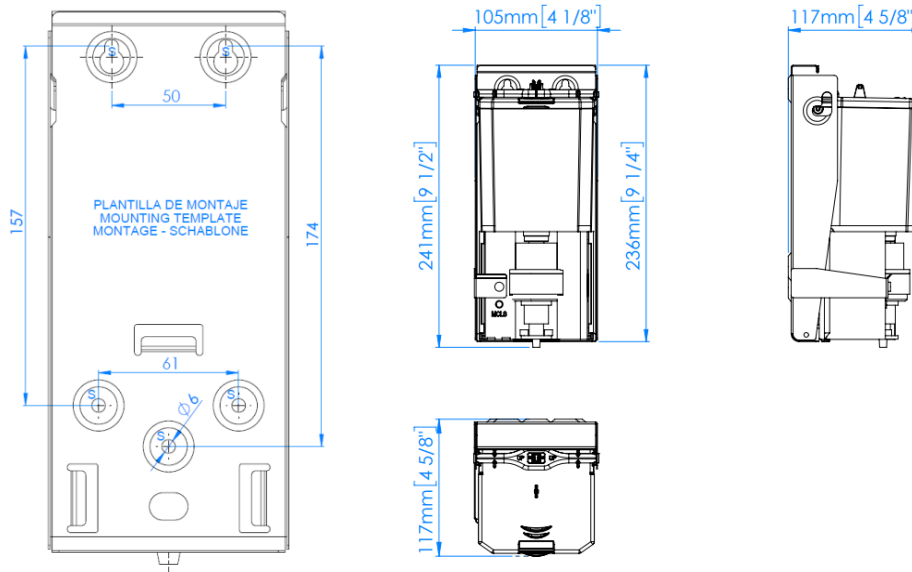


PROJECT		REF		REV	ITEM CODE	
LOCATION		DATE			PAGE	

SANITARY WARE SPECIFICATION SHEET

Components & materials

- **WALL PLATE:** made of stainless steel AISI 304, 0.8 mm thick. It is mounted on the wall by means of four Ø4 stainless steel screws (provided) with their corresponding Ø 6mm plastic plugs (also provided).
- **INNER PLASTIC TANK:** prevents oxidation and can be easily removed for cleaning and disinfection purposes.
- **VALVE:** anti-drip corrosion resistant that dispenses 1.0 ml of soap per service.
- **POWER:** 6 AA alkaline batteries (not provided) or optionally, AC adapter. Order reference DJSM0039A-TRAF0 to receive the automatic soap dispenser able to be connected to the mains with the electrical transformer.
- **INFRA-RED DETECTION RANGE:** between 8 and 12 cm.



Behind the mirror



Note:

* All information of the above is for the reference only. No prior notice is made if any changes.

